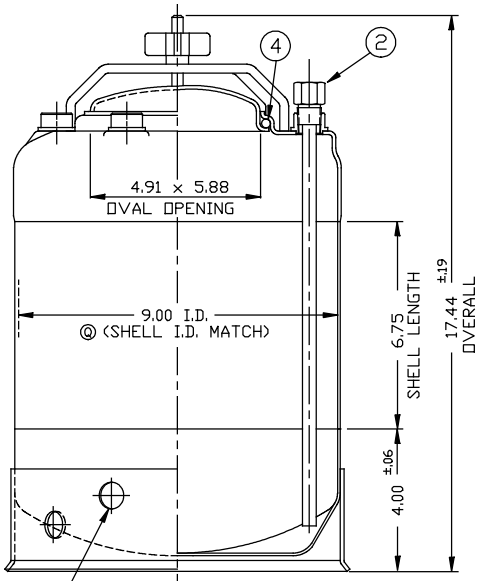
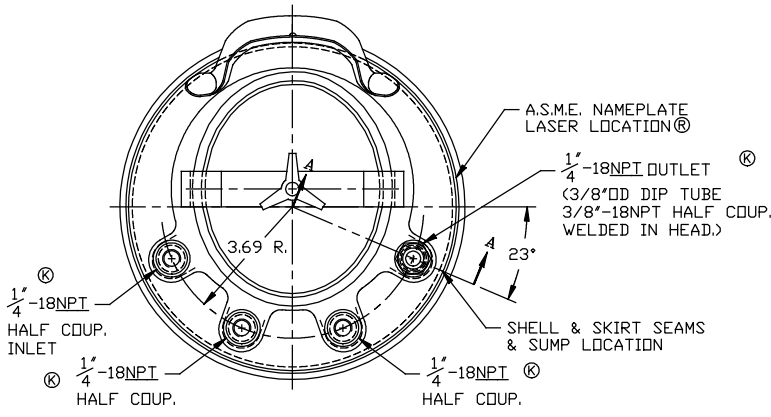
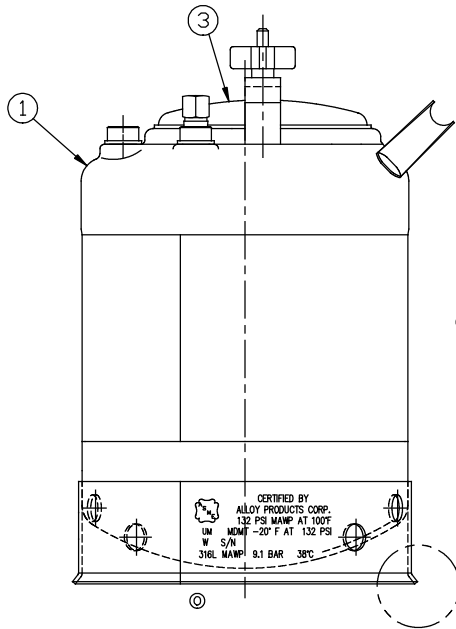


REVISION
(A) 6-22-2000
C/O12161
(B) 6-22-2000
C/O12322
(C) 6-22-2000
C/O12677
(D) 6-22-2000
C/O12743
(E) 6-22-2000
C/O13280
(F) 6-22-2000
C/O13332
(G) 6-22-2000
C/O13461
(H) 7-25-2001
C/O14101
(I) 9-26-2006
C/O15555
(J) 10-23-2006
C/O15614
(K) 4-23-2008
C/O15884
(L) 8-21-2008
C/O15938
(M) 10-15-2008
C/O15992
(N) 4-14-2010
C/O16194
(O) 2-06-2013
C/O16694
(P) 6-04-2013
C/O16771
(Q) 01-24-2018
C/O17425
(R) 01-24-2018
C/O17692



2 DRAIN HOLES IN SKIRT - 180° APART.



CERTIFIED BY
ALLOY PRODUCTS CORP.
132 PSI MAMP AT 100°F
UM NOM -20°F AT 132 PSI
W S/N
316L MAMP 9.1 BAR 38°C

ITEM	DWG./PART NO.	MATERIAL	QTY.
(1)	C208-0354-00	LDC 9" TANK WELDMENT	316L 1
(2)	A206-1739-00	DIP TUBE ASSEMBLY	316L 1
(3)	B506-0065-00	VACUUM LID ASSEMBLY	316L 1
(4)	A100-0376-00 A100-0280-00 A100-0383-00 A100-0399-00	CLOSURE SEAL O-RING	①E.P.D.M. ②VITON ③T.E.V. ④NITRILE 1
(5)	A109-0003-00	RUBBER BOOT	EPDM 1

* SEE CURRENT SHOP ORDER FOR O-RING TYPE TO BE USED.

①** ITEM 5 IS OPTIONAL. INSTALL ONTO SKIRT WHEN P/N B530-2086-00-X-R IS ORDERED. (X BEING O-RING CHOICE E, F, OR V).

MATERIAL NOTES:
MATERIAL TO BE TYPE 304/316L STAINLESS STEEL.
SHEET/PLATE STOCK PER A.S.M.E. SPEC. SA-240.
BAR STOCK PER A.S.M.E. SPEC. SA-479.
WROUGHT/FORGED STOCK PER A.S.M.E. SPEC. SA-182.
WELDED OR SEAMLESS PIPE PER A.S.M.E. SPEC. SA-312.
TUBING PER A.S.M.E. SPEC. SA-249.

NOTES:

- CONSTRUCTION MEETS LATEST A.S.M.E. "UM" CODE AND ADDENDA.
- ALL WELDS TO BE GTAW (OR) AND GMAW.
- ③, MAXIMUM WORKING PRESSURE: 132 P.S.I.G. @ 100°F.
- ④, HYDROSTATIC TEST: 198 P.S.I.G.
- ⑤, FINISH: WHITE PICKLE. WELDS ARE AS WELDED.

NOTICE THIS DRAWING AND THE DATA SHOWN ARE PROPRIETARY INFORMATION AND SHALL NOT BE USED WITHOUT APPROVAL OF ALLOY PRODUCTS CORP.	BT-9	CAL0446	UNLESS OTHERWISE SPECIFIED	DRAWN PH	DATE	TITLE
	BT-23		TOLERANCES	APPROVED PE	10-03-95	9"ID TANK ASSEMBLY
	BT-23		.XX DECIMALS ± .030 .XXX DECIMALS ± .015 ANGLES ± 1°	SCALE NONE		3 GAL. W/LARGE VACUUM CLOSURE & METAL SKIRT
	BT-23		REMOVE BURRS & SHARP EDGES			A.S.M.E. 316L
			ALLOY PRODUCTS CORP. WAUKESHA, WISCONSIN	DWG. NO.	B530-2086-00	REVISION R