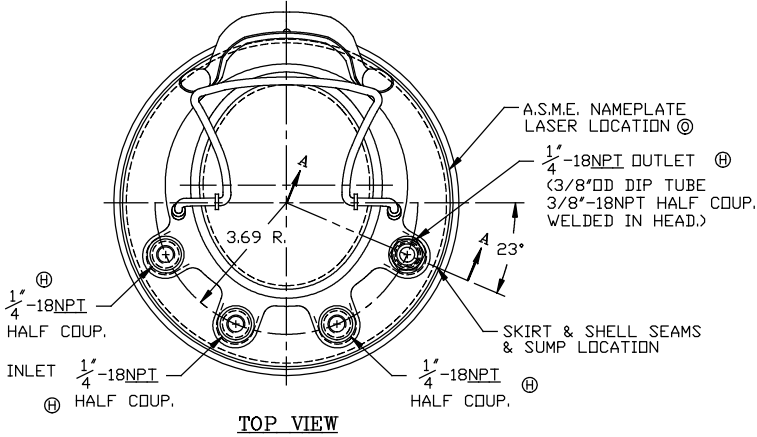
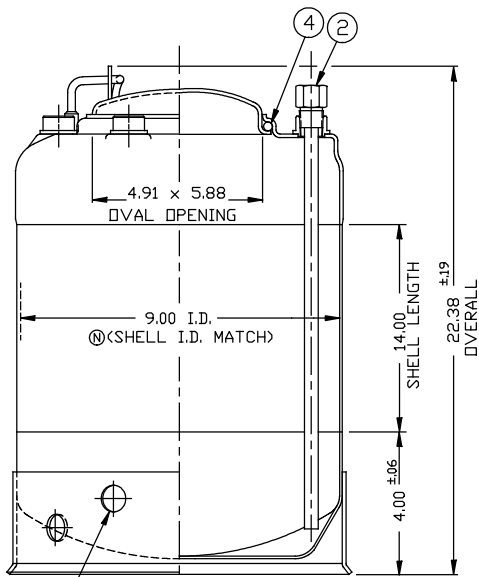


REVISION
A) 8-14-97
C/012677
B) 8-13-1999
C/013280
C) 8-13-1999
C/013461
D) 8-13-1999
C/013332
E) 7-25-2001
C/014101
F) 9-28-2006
C/015555
G) 10-20-2006
C/015614
H) 4-24-2008
C/015884
I) 8-21-2008
C/015938
J) 10-15-2008
C/015992
K) 4-9-2010
C/016194
L) 2-06-2013
C/016694
M) 6-04-2013
C/016771
N) 01-24-2018
C/017425
O) 01-24-2018
C/017692

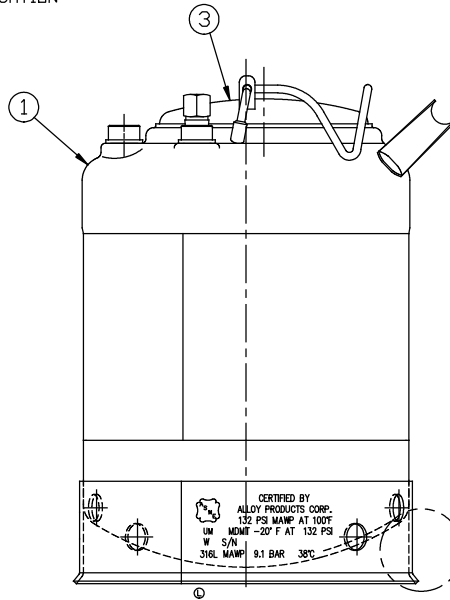


TOP VIEW



SECTION "A-A"

2 DRAIN HOLES IN SKIRT - 180° APART.



ITEM	DWG./PART NO.	MATERIAL	QTY.
Ⓚ ①	C208-0356-00	LOC 9" TANK WELDMENT	316L 1
②	A206-1740-00	DIP TUBE ASSEMBLY	316L 1
③	C506-0066-00	CLOSURE LID ASSEMBLY	316L 1
* ④	A100-0376-00 A100-0280-00 A100-0383-00	CLOSURE SEAL O-RING	E.P.D.M. VITON © T.E.V. 1
** ⑤	A109-0003-00	RUBBER BOOT	EPDM 1

* SEE CURRENT SHOP ORDER FOR O-RING TYPE TO BE USED.

Ⓚ ** ITEM 5 IS OPTIONAL. INSTALL ONTO SKIRT WHEN P/N B530-2093-00-X-R IS ORDERED. (X BEING O-RING CHOICE E, F, OR V).

MATERIAL NOTES:

MATERIAL TO BE TYPE 304/316L STAINLESS STEEL. SHEET/PLATE STOCK PER A.S.M.E. SPEC. SA-240. BAR STOCK PER A.S.M.E. SPEC. SA-479. WROUGHT/FORGED STOCK PER A.S.M.E. SPEC. SA-182. WELDED OR SEAMLESS PIPE PER A.S.M.E. SPEC. SA-312. TUBING PER A.S.M.E. SPEC. SA-249.

Ⓚ NOTES:

- CONSTRUCTION MEETS LATEST A.S.M.E. "UM" CODE AND ADDENDA.
- ALL WELDS TO BE GTAW (OR) AND GMAW
- MAXIMUM WORKING PRESSURE: 132 P.S.I.G. @ 100°F.
- HYDROSTATIC TEST: 198 P.S.I.G.
- FINISH: WHITE PICKLE, WELDS ARE AS WELDED.

BT-9	BT-23	CALO446	NOTICE THIS DRAWING AND THE DATA SHOWN ARE PROPRIETARY INFORMATION AND SHALL NOT BE USED WITHOUT APPROVAL OF ALLOY PRODUCTS CORP.	UNLESS OTHERWISE SPECIFIED	DRAWN PH	DATE	TITLE
				TOLERANCES .XX DECIMALS ± .030 .XXX DECIMALS ± .015 ANGLES ± 1°	APPROVED PE	10-03-95	9" ID TANK ASSEMBLY W/METAL SKT. & LOC 5 GALLON A.S.M.E. 316L
				REMOVE BURRS & SHARP EDGES	SCALE NONE	DWG. NO.	REVISION
				ALLOY PRODUCTS CORP. WAUKESHA, WISCONSIN		B530-2093-00	□