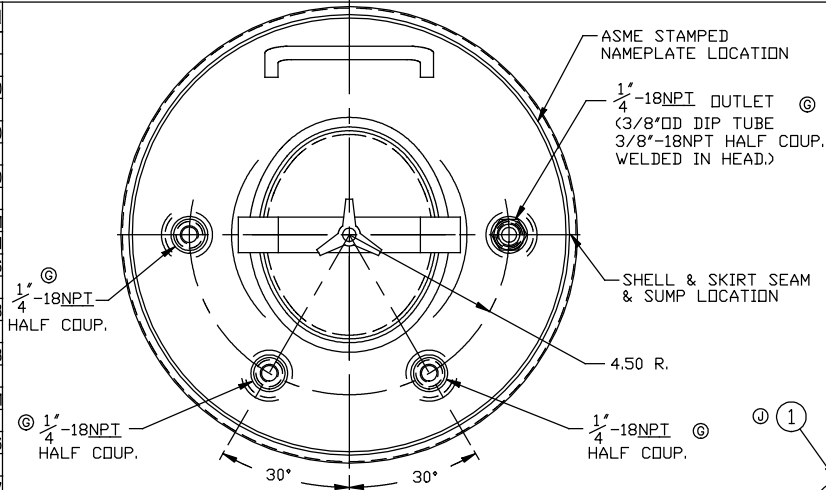


REVISION
A 7-24-97
C/012677
B 6-26-2000
C/013280
C 6-26-2000
C/013332
D 6-26-2000
C/013461
E 7-26-2001
C/014101
F 5-17-2006
C/015517
G 5-16-2008
C/015884
H 8-26-2008
C/015938
I 4-05-2011
C/016278
K 2-14-2013
C/016694
L 8-25-2017
C/017425



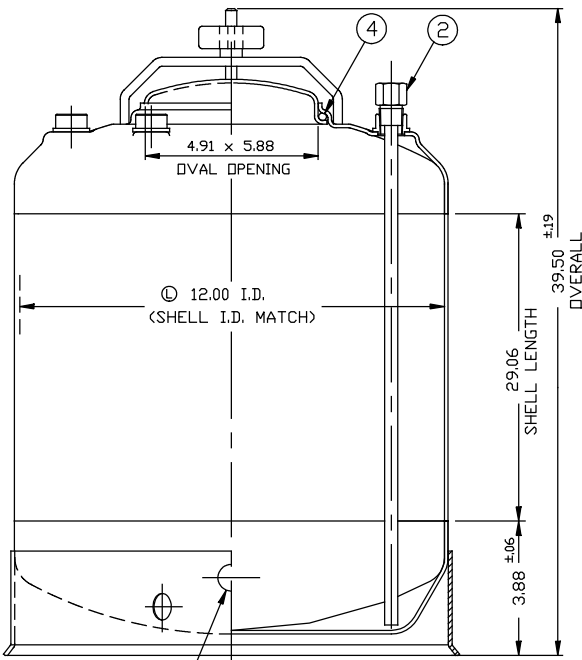
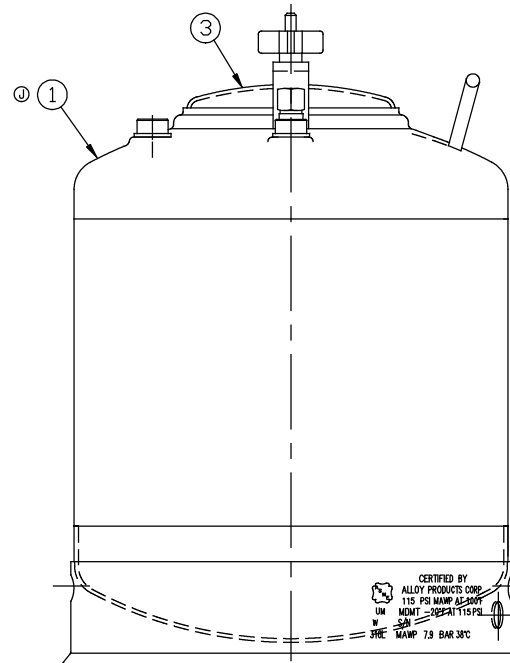
ITEM	DWG./PART NO.	MATERIAL	QTY.
①	C208-0443-00	LOC 12" TANK WELDMENT	316L 1
②	A206-1352-00	DIP TUBE ASSEMBLY	316L 1
③	B506-0125-00	LARGE VACUUM LID	316L 1
* ④	A100-0376-00	CLOSURE SEAL O-RING	E.P.D.M.
	A100-0280-00		VITON
	A100-0383-00		⑤ T.E.V.

*SEE CURRENT SHOP ORDER FOR O-RING TYPE TO BE USED.

MATERIAL NOTES:
 MATERIAL TO BE T-316L STAINLESS STEEL.
 SHEET/PLATE STOCK PER A.S.M.E. SPEC. SA-240.
 BAR STOCK PER A.S.M.E. SPEC. SA-479.
 WROUGHT/FORGED STOCK PER A.S.M.E. SPEC. SA-182.
 WELDED/SEAMLESS PIPE PER A.S.M.E. SPEC. SA-312.
 TUBING PER A.S.M.E. SPEC. SA-249.

NOTES:

- CONSTRUCTION MEETS LATEST A.S.M.E. "UM" CODE AND ADDENDA.
- ALL WELDS TO BE GTAW (OR) AND GMAW.
- MAXIMUM WORKING PRESSURE:
115 P.S.I.G. @ 100°F.
- HYDROSTATIC TEST: 150 P.S.I.G. ④
- FINISH: ELECTRO-POLISH INSIDE & OUT.
WELDS ARE AS WELDED.



DRAIN HOLES IN SKIRT 180° APART

BT-21 BT-19	CAL0882	NOTICE THIS DRAWING AND THE DATA SHOWN ARE PROPRIETARY INFORMATION AND SHALL NOT BE USED WITHOUT APPROVAL OF ALLOY PRODUCTS CORP.	UNLESS OTHERWISE SPECIFIED	DRAWN PH	DATE	TITLE
			TOLERANCES .XX DECIMALS ± .030 .XXX DECIMALS ± .015 ANGLES ± 1°	APPROVED PE	10-04-95	12" ID TANK ASSEMBLY W/LARGE VACUUM LID 16 GALLON A.S.M.E. 316L
			REMOVE BURRS & SHARP EDGES	SCALE NONE		
			ALLOY PRODUCTS CORP. WAUKESHA, WISCONSIN	DWG. NO.	B530-2166-00	
						REVISION L