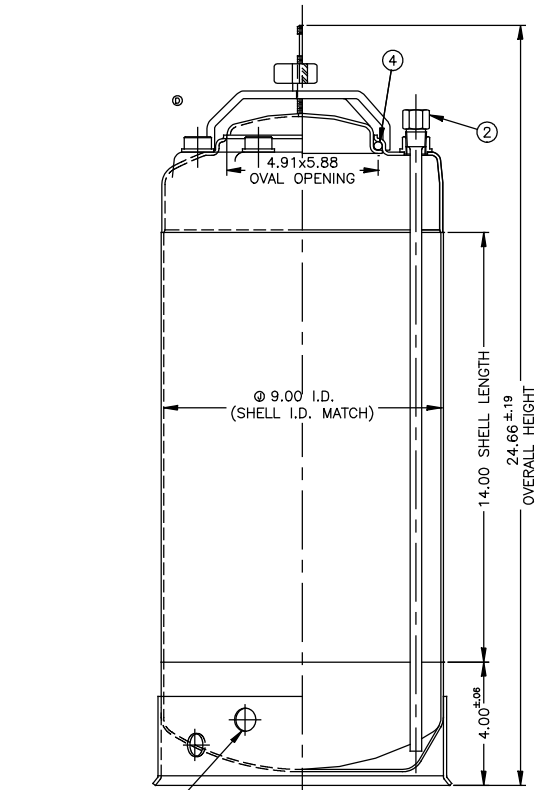
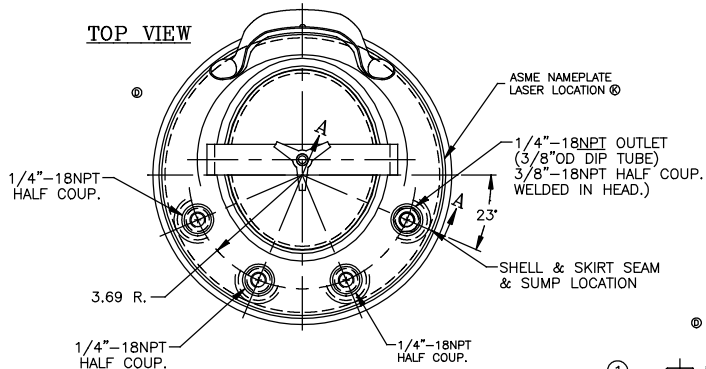
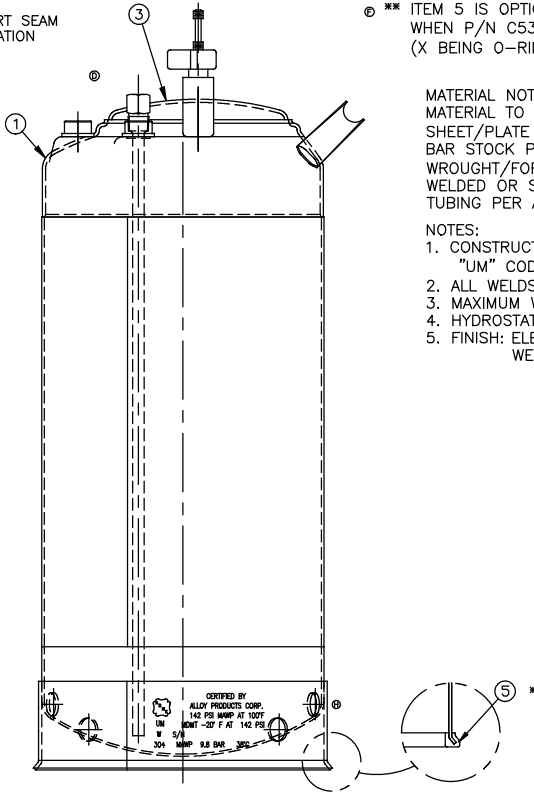


REVISION
7-16-2001
C/014101
9-29-2006
C/015555
10-17-2006
C/015614
1-18-2008
C/015884
8-21-2008
C/015938
10-11-2008
C/015992
3-24-2010
C/016194
1-14-2013
C/016694
5-05-2013
C/016771
1-24-2018
C/017425
1-24-2018
C/017692



2 DRAIN HOLES IN SKIRT - 180° APART

SECTION "A-A"



ITEM	DWG./PART NO.	MATERIAL	QTY.
①	C208-0322-00	LOC 9" TANK WELDMENT	304 1
②	A206-4438-00	DIP TUBE ASSEMBLY	304 1
③	C506-0498-00	VACUUM CLOSURE LID ASSEMBLY	304 1
*	A100-0376-00	CLOSURE SEAL O-RING	E.P.D.M. 1
	A100-0280-00		VITON 1
	A100-0383-00		T.E.V. 1
⑤	A109-0003-00	RUBBER BOOT	EPDM 1

\* SEE CURRENT SHOP ORDER FOR O-RING TYPE TO BE USED.

⑤ \*\* ITEM 5 IS OPTIONAL. INSTALL ONTO SKIRT WHEN P/N C530-3524-00-X-R IS ORDERED. (X BEING O-RING CHOICE E, F, OR V).

MATERIAL NOTES:

MATERIAL TO BE TYPE 304 STAINLESS STEEL.  
SHEET/PLATE STOCK PER A.S.M.E. SPEC. SA-240.  
BAR STOCK PER A.S.M.E. SPEC. SA-479.  
WROUGHT/FORGED STOCK PER A.S.M.E. SPEC. SA-182.  
WELDED OR SEAMLESS PIPE PER A.S.M.E. SPEC. SA-312.  
TUBING PER A.S.M.E. SPEC. SA-249.

NOTES:

- CONSTRUCTION MEETS LATEST A.S.M.E. "UM" CODE & ADDENDA.
- ALL WELDS TO BE GTAW (OR) AND GMAW.
- MAXIMUM WORKING PRESSURE: 142 P.S.I.G. @ 100°F.
- HYDROSTATIC TEST: 213 P.S.I.G. @ 100°F.
- FINISH: ELECTRO-POLISH INSIDE & OUT. WELDS ARE AS WELDED.

BT-15	BT-8	CAL0001	NOTICE: THIS DRAWING AND THE DATA SHOWN ARE PROPRIETARY INFORMATION AND SHALL NOT BE USED WITHOUT APPROVAL OF ALLOY PRODUCTS CORP.	DWG. UNITS ARE IN INCHES UNLESS OTHERWISE SPEC'D.	DRAWN	DATE	9" I.D. TANK ASSEMBLY L.O.C. VACUUM LID 5 GALLON W/STD. METAL SKIRT A.S.M.E.	304
					GG	7-12-2000		
				TOLERANCES:	APPR'D	PLTD SCALE	C530-3524-00	REV. K
				.XX DECIMALS ±.030 .XXX DECIMALS ±.015 ANGLES ±1°	PE	1/5		
				ALLOY PRODUCTS CORP. WAUKESHA, WISCONSIN	DWG. NO.			