

REVISION
1-23-2006
C/015451
3-16-2006
C/015443
10-27-2006
C/015555
10-24-2006
C/015614
9-09-2008
C/015938
1-28-2009
C/016053
6-24-2009
C/015992
4-18-2010
C/016194
1-28-2011
C/016336
7-20-2011
C/016439

NOTES:

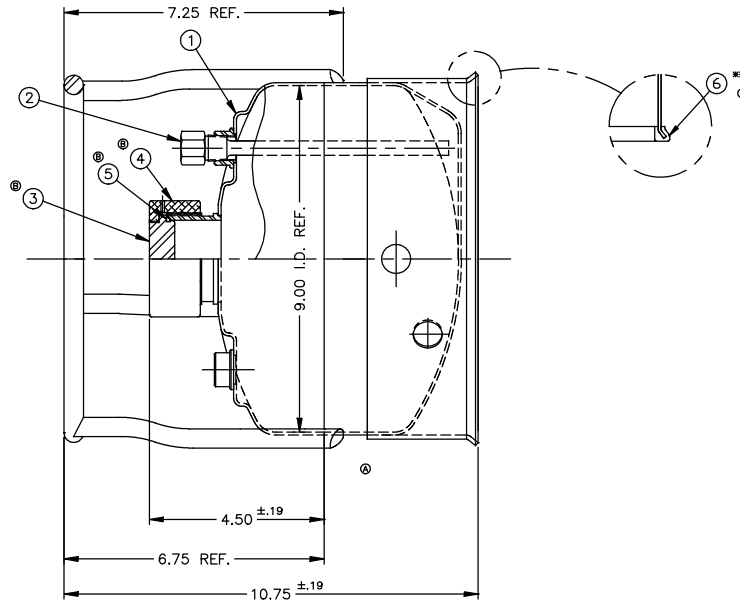
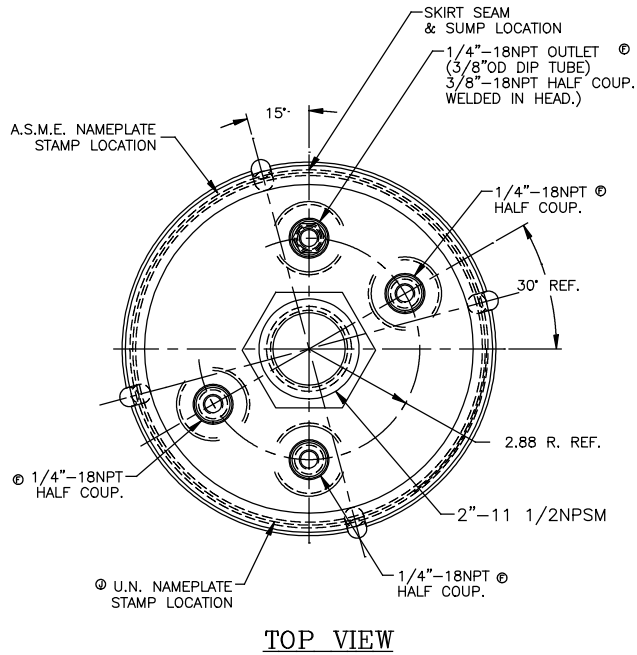
- CONSTRUCTION COMPLIES WITH LATEST REVISION <sup>ⓐ</sup> OF U.N./DOT CFR 49 parts 171-180 AND A.S.M.E. "UM" 2010 CODE & 2011 ADDENDA.
- ALL WELDS TO BE GTAW (OR) AND GMAW.
- MAXIMUM WORKING PRESSURE: 185 P.S.I.G. <sup>ⓐ</sup> 100°F.
- HYDROSTATIC TEST: 241 P.S.I.G. <sup>ⓐ</sup>
- AIR TEST: 15 P.S.I.G. <sup>ⓐ</sup>
- FINISH: WHITE PICKLE.  
WELDS ARE AS WELDED.
- DROP, LEAKPROOF, STACKING, VIBRATION, AND HYDROSTATIC TESTS REQUIRED.
- DROP TEST: FOR DESIGN QUALIFICATION TESTING, DROP 3 FOR PERIODIC TESTING, DROP 1.
- THE VESSEL WAS TESTED USING (4) 1/4" PIPE PLUGS AND ONE APC STANDARD CLOSURE LID ASSEMBLY B506-0039-00.

MATERIAL NOTES:

MATERIAL TO BE TYPE 304/316L STAINLESS STEEL.  
SHEET/PLATE STOCK PER A.S.M.E. SPEC. SA-240.  
BAR STOCK PER A.S.M.E. SPEC. SA-479.  
WROUGHT/FORGED STOCK PER A.S.M.E. SPEC. SA-182.  
WELDED OR SEAMLESS PIPE PER A.S.M.E. SPEC. SA-312.  
TUBING PER A.S.M.E. SPEC. SA-249.  
ALUMINUM BAR STOCK PER A.S.M.E. SPEC. SB-211.

ITEM	DWG./PART NO.	MATERIAL	QTY.
ⓐ ①	C208-0401-00	CODE2 9" TANK WELDMENT	316L 1
②	A206-1737-00	DIP TUBE ASSEMBLY	316L 1
ⓐ ③	A011-0205-01	CODE 2 CLOSURE LID	316L 1
ⓐ ④	A003-0052-00	2"-11 1/2NPS HEX NUT	ALUM 1
ⓐ ⑤	A100-0309-00 A100-0278-00 A100-0279-00	D-RING	TEFLON VITON E.P.D.M. 1
ⓐ ⑥	A109-0003-00	RUBBER BOOT	E.P.D.M. 1

\* SEE CURRENT SHOP ORDER FOR  
ⓐ D-RING TYPE TO BE USED.  
ⓐ \*\* ITEM 6 IS OPTIONAL. INSTALL ONTO SKIRT WHEN P/N C533-0330-00-X-R IS ORDERED. (X BEING O-RING CHOICE E, F, OR V).



BT-29 BT-02	<p>NOTICE</p> <p>THIS DRAWING AND THE DATA SHOWN ARE PROPRIETARY INFORMATION AND SHALL NOT BE USED WITHOUT APPROVAL OF ALLOY PRODUCTS CORP.</p>	DWG. UNITS ARE IN INCHES UNLESS OTHERWISE SPEC'D.	DRAWN	DATE	9" I.D. TANK ASSEMBLY 1 GALLON
		TOLEANCES	GC	1-04-2006	
		.XX DECIMALS ±.030 .XXX DECIMALS ±.015 ANGLES ±1°	APPR'D	PLT'D SCALE	
			RW	1/4	316L
	ALLOY PRODUCTS CORP WAUKESHA, WISCONSIN	DWG. NO.	C533-0330-00		REV. J