

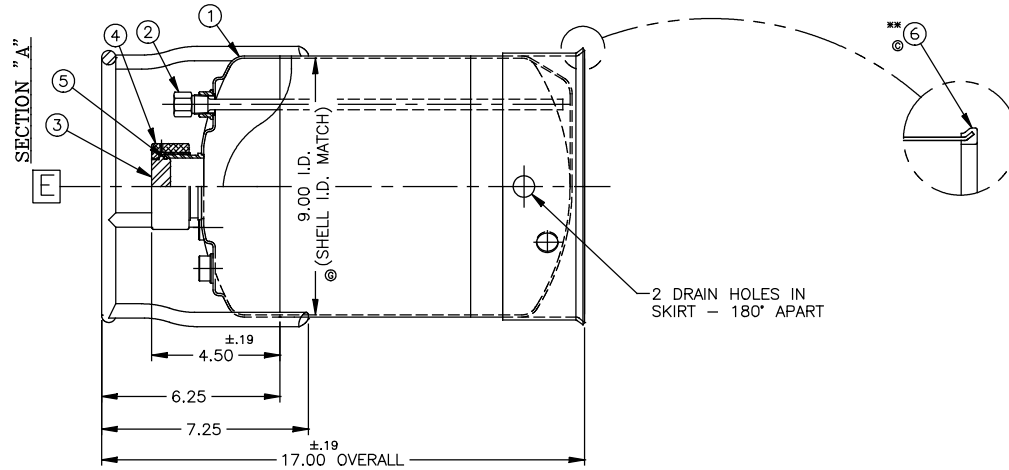
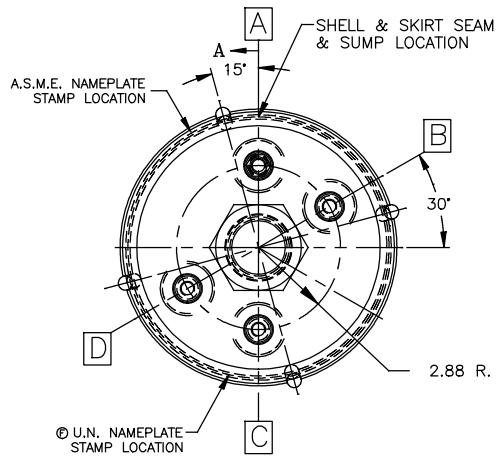
REVISION
① 9-09-2008
c/015938
② 5-26-2009
c/016053
③ 6-25-2009
c/015992
④ 4-16-2010
c/016194
⑤ 4-28-2011
c/016336
⑥ 7-20-2011
c/016439
⑦ 02-08-2017
c/017425

- NOTES:
- CONSTRUCTION COMPLIES WITH LATEST REVISION OF U.N./DOT CFR 49 parts 171-180 AND A.S.M.E. "UM" 2010 CODE & 2011 ADDENDA.
 - DROP, LEAKPROOF, STACKING, VIBRATION AND HYDROSTATIC TEST.
 - DROPTTEST: FOR DESIGN QUALIFICATION TESTING, DROP 3 FOR PERIODIC TESTING, DROP 1.
 - THE VESSEL WAS TESTED USING (4) 1/4" PIPE PLUGS AND ONE APC STANDARD CLOSURE LID ASSEMBLY B506-0039-00.

ITEM	DWG./PART NO.	MATERIAL	QTY.
①	C208-0403-00	CODE2 9" TANK WELDMENT	316L 1
②	A206-1739-00	DIP TUBE	316L 1
③	A011-0205-01	CODE 2 CLOSURE CAP	316L 1
④	A003-0052-00	2"-11 1/2 NPS HEX. NUT	ALUM 1
* ⑤	A100-0309-00 A100-0278-00 A100-0279-00	O-RING	TEFLON VITON E.P.D.M. 1
** ⑥	A109-0003-00	RUBBER BOOT	E.P.D.M. 1

* SEE CURRENT SHOP ORDER FOR O-RING TYPE TO BE USED.

*** ITEM 6 IS OPTIONAL. INSTALL ONTO SKIRT WHEN P/N C533-0377-00-X-R IS ORDERED. (X BEING O-RING CHOICE E, F, OR V).



STAMP		VESSEL	JACKET	I.D. FINISH:	MATERIAL: 304/316L	ASME SPEC:														
UM,UN	N/A			2B/WP	SHEET/PLATE	SA-240														
MIN TEMP	-20°F	N/A		AS WELDED	BAR STOCK	SA-479														
MAX TEMP	100°F	N/A			WROUGHT/FORGED	SA-182														
MAX PRESSURE	185 PSIG	N/A		O.D. FINISH	WELDED/SEAMLESS PIPE	SA-312														
FULL VACUUM	NO	N/A		2B/WP	TUBING	SA-249														
HYDROSTATIC TEST	241 PSIG	N/A		AS WELDED	ALUMINUM BAR STOCK	SB-211														
AIR TEST	15 PSIG	N/A																		
FULLY DRAINABLE	NO	N/A			CONSTRUCTION MEETS ASME CODE, SECT. VIII DIV. 1															
ALL WELDS ARE TO BE GTAW AND (OR) GMAW.																				
NOZZLE SCHEDULE		BT-22 BT-23		CALO446																
E	2"	NPSM	TOP	W/2" HEX NUT, CAP & O-RING																
D	1/4"	NPT	TOP	1/4"-18NPT HALF COUP.																
C	1/4"	NPT	TOP	1/4"-18NPT HALF COUP.																
B	1/4"	NPT	TOP	1/4"-18NPT HALF COUP.																
A	3/8"	NPT	TOP	1/4"-18NPT OUTLET W/REMOVABLE 3/8" OD DIP TUBE																
MARK	SIZE	TYPE	LOCATION	DESCRIPTION																
<table border="1"> <tr> <td>DWG. UNITS ARE IN INCHES UNLESS OTHERWISE SPEC'D.</td> <td>DRAWN</td> <td>DATE</td> <td rowspan="3">9" I.D. TANK ASSEMBLY 3 GALLON (sheet 1 of 1) ASME UN 316L</td> </tr> <tr> <td>TOLERANCES .XX DECIMALS ±.030 .XXX DECIMALS ±.015 ANGLES ±1°</td> <td>JR</td> <td>11-5-2007</td> </tr> <tr> <td></td> <td>APPR'D</td> <td>PLT'D SCALE</td> </tr> <tr> <td></td> <td>RW</td> <td>1/6</td> <td></td> </tr> </table>							DWG. UNITS ARE IN INCHES UNLESS OTHERWISE SPEC'D.	DRAWN	DATE	9" I.D. TANK ASSEMBLY 3 GALLON (sheet 1 of 1) ASME UN 316L	TOLERANCES .XX DECIMALS ±.030 .XXX DECIMALS ±.015 ANGLES ±1°	JR	11-5-2007		APPR'D	PLT'D SCALE		RW	1/6	
DWG. UNITS ARE IN INCHES UNLESS OTHERWISE SPEC'D.	DRAWN	DATE	9" I.D. TANK ASSEMBLY 3 GALLON (sheet 1 of 1) ASME UN 316L																	
TOLERANCES .XX DECIMALS ±.030 .XXX DECIMALS ±.015 ANGLES ±1°	JR	11-5-2007																		
	APPR'D	PLT'D SCALE																		
	RW	1/6																		
ALLOY PRODUCTS CORP WAUKESHA, WISCONSIN				DWG. NO. C533-0377-00		REV. G														

MARK	SIZE	TYPE	LOCATION	DESCRIPTION
E	2"	NPSM	TOP	W/2" HEX NUT, CAP & O-RING
D	1/4"	NPT	TOP	1/4"-18NPT HALF COUP.
C	1/4"	NPT	TOP	1/4"-18NPT HALF COUP.
B	1/4"	NPT	TOP	1/4"-18NPT HALF COUP.
A	3/8"	NPT	TOP	1/4"-18NPT OUTLET W/REMOVABLE 3/8" OD DIP TUBE